

Tooling solutions for Mould & Die

Precision tools from roughing to finishing



NEW
MOULD & DIE



MOULD & DIE



PDF



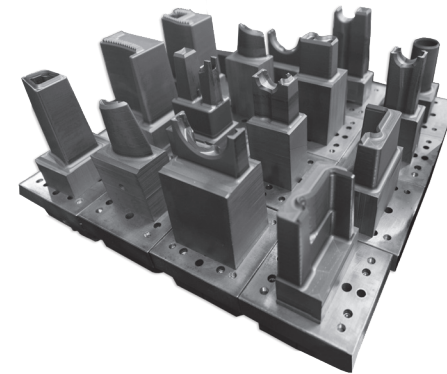
VIDEO

Precision tools **from roughing to finishing**

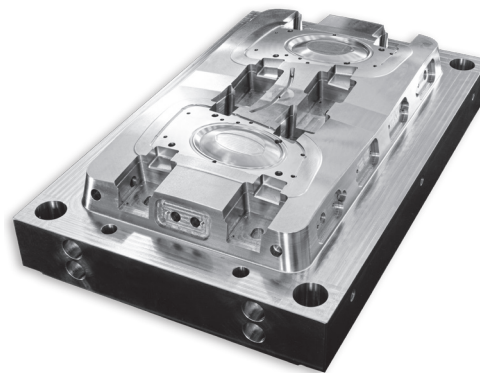
Mould & Die industry requires considerable metal working skills because of the amount of applications (injection moulds, stamping moulds, pressing dies, forging & casting dies and moulds) and the variety of material types (steels, hardened steels, aluminiums and non-ferrous, and cast irons).



STEEL BLOCK



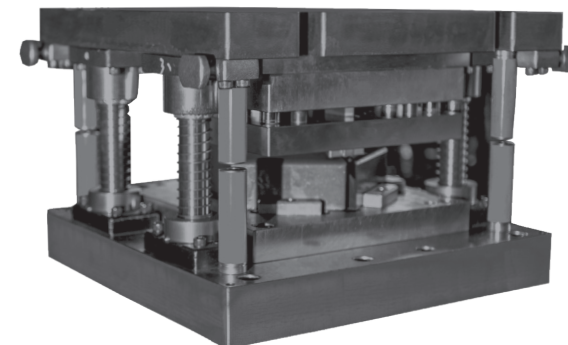
GRAPHITE ELETRODES



INJECTION MOULD



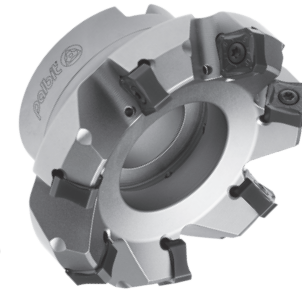
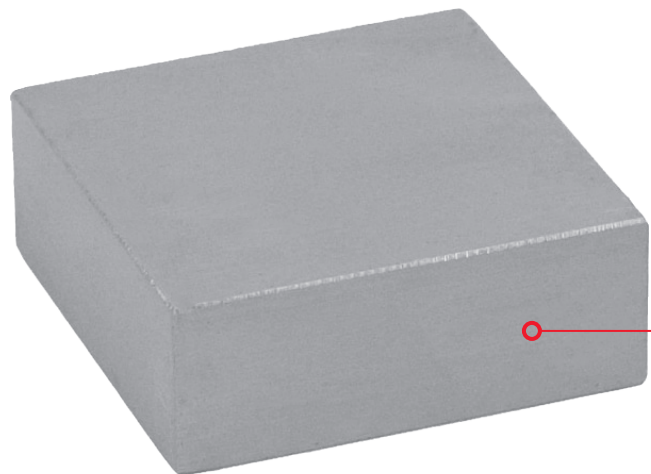
SUPPORT PLATE



STAMPING MOULDS

STEEL BLOCK FACING | Facejamento em bloco de aço | Planeado de bloque de acero

As an experienced manufacturer of milling solutions, Palbit has become a first-class supplier of plate machining solutions. With a broad range of solutions, at Palbit always finds innovative ways to boost our client's productivity.



PLUS 90945 | 91245
Ø50 - Ø250

Palbit has a wide range of high feed milling solutions. From Ø10 to Ø160 and solutions for every type of material, Palbit has a solution for every challenge.



HIFEED 06815
Ø63 - Ø160



LINEPRO 20090 | 20190
Ø10 - Ø32



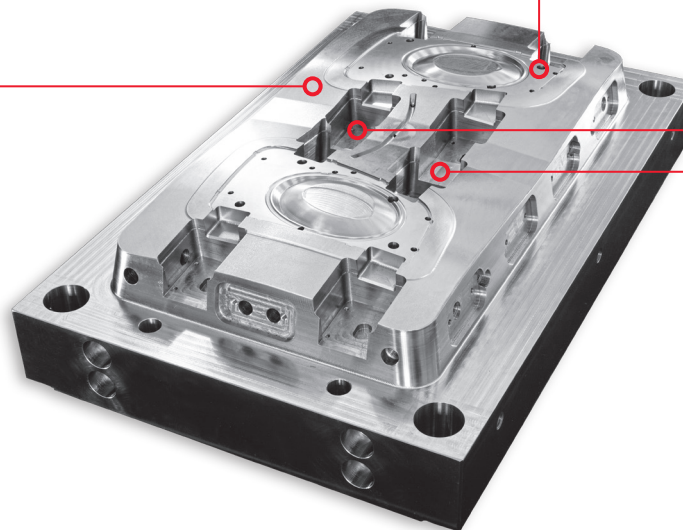
HIFEED 50060
Ø35 - Ø80



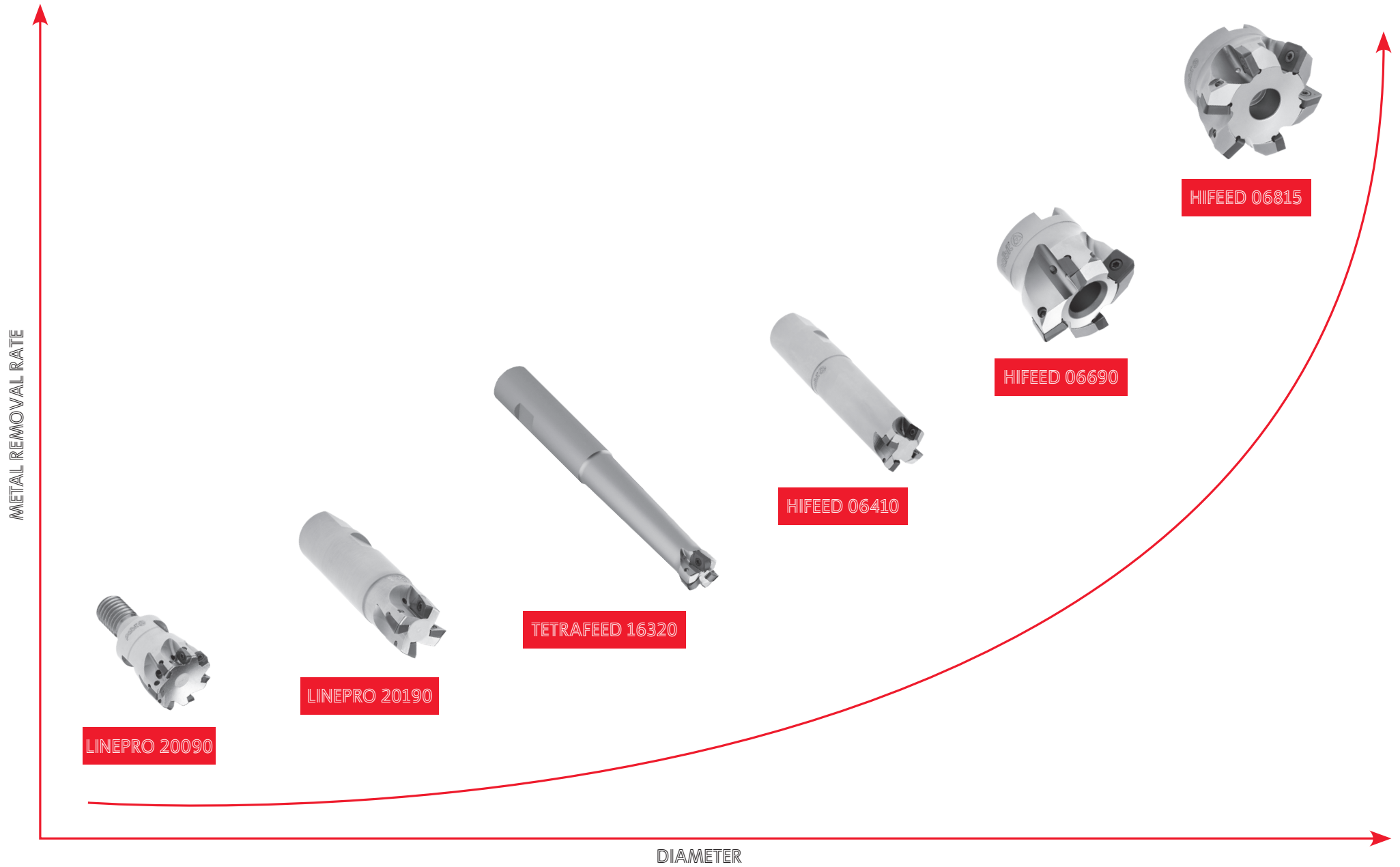
HIFEED 06690
Ø32 - Ø100



HIFEED 06410
Ø20 - Ø52

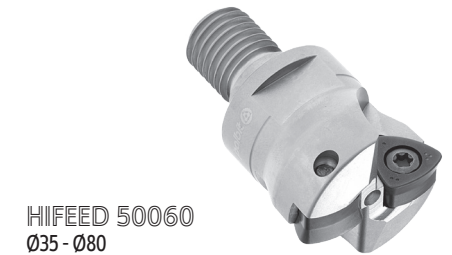
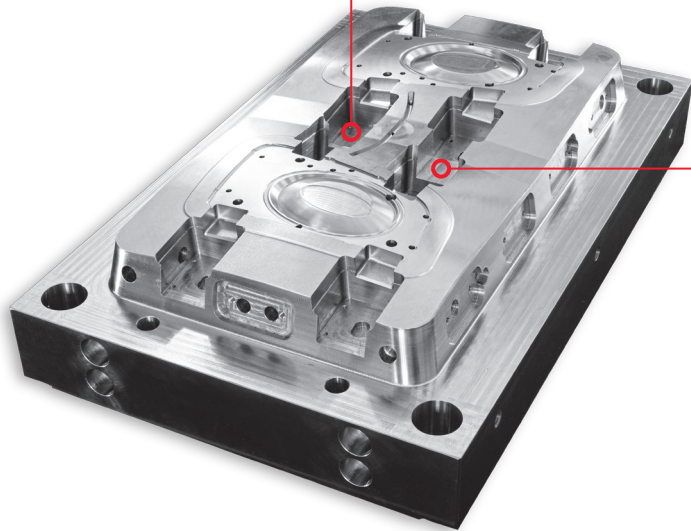


TETRAFEED 16320
Ø16 - Ø63



DEEP CAVITY ROUGHING | Maquinação de cavidades profundas | Mecanizado de cavidades profundas

For deep cavities machining, tools with high overhang must be used. TETRAFEED 16320 works remarkably well in deep cavities using high feeds. Palbit's HIFEED 50060 can work extreme overhangs (>20D).



HIFEED 50060
Ø35 - Ø80

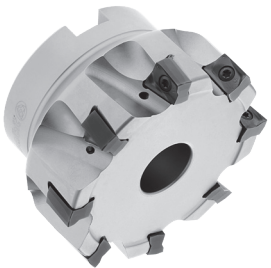


TETRAFEED 16320
Ø16 - Ø63

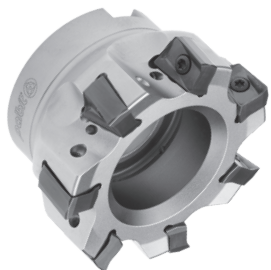
Palbit has a vast selection of shouldering/slotting cutters for every mould and die application.



PLUS 17190
Ø14 - Ø100



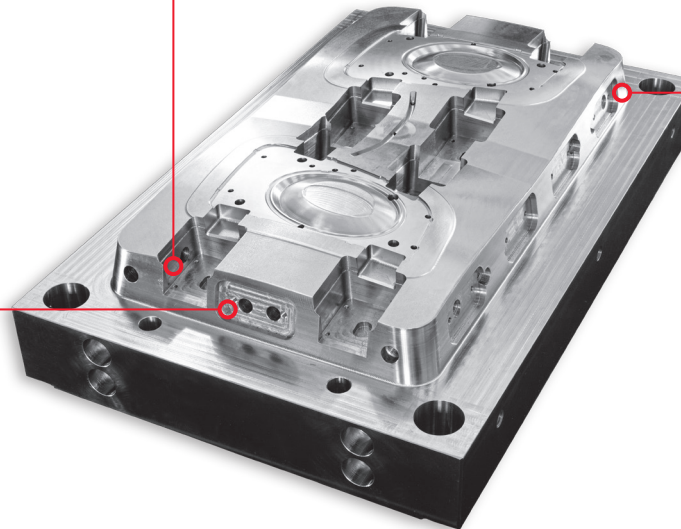
PLUS 17590
Ø25 - Ø125



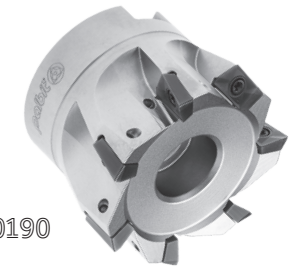
PLUS 18190
Ø32 - Ø160



DYN-INTEG
Ø4 - Ø20



LINEPRO 20090
Ø10 - Ø32



LINEPRO 20190
Ø16 - Ø63



LINEPRO 20290
Ø32 - Ø125

Finishing operations are crucial for the quality of the final product. Palbit offers a versatile set of finishing solutions from indexable milling to integral solid carbide endmills.



W-PRO 62090
Ø8 - Ø20



FIN-INTEG
Ø4 - Ø20



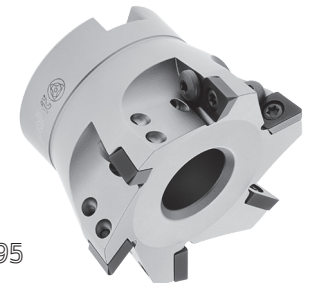
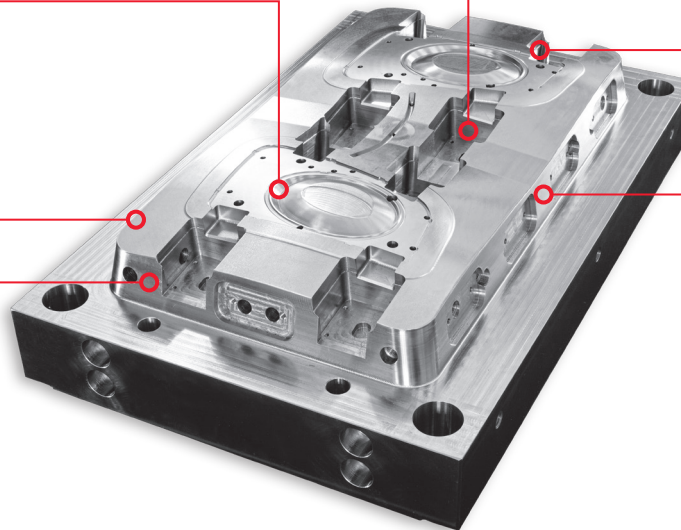
PLUS 49095 | 45095
Ø16 - Ø42



CENTER & CHAMFER



RAD-INTEG
Ø6 - Ø16

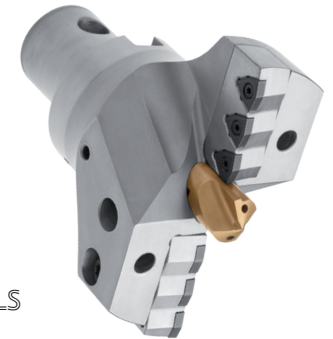
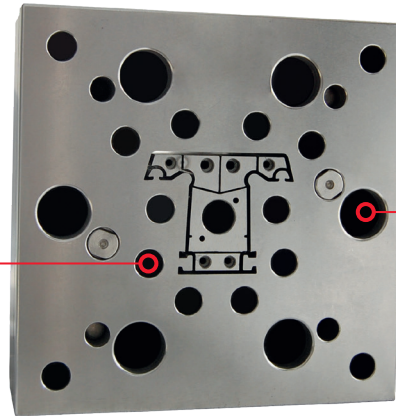


LINEPRO 40095
Ø16 - Ø25

From coolant channels, guide holes, etc., Mould and die components have a vast number of holes. Palbit offers a large range of drilling solutions.



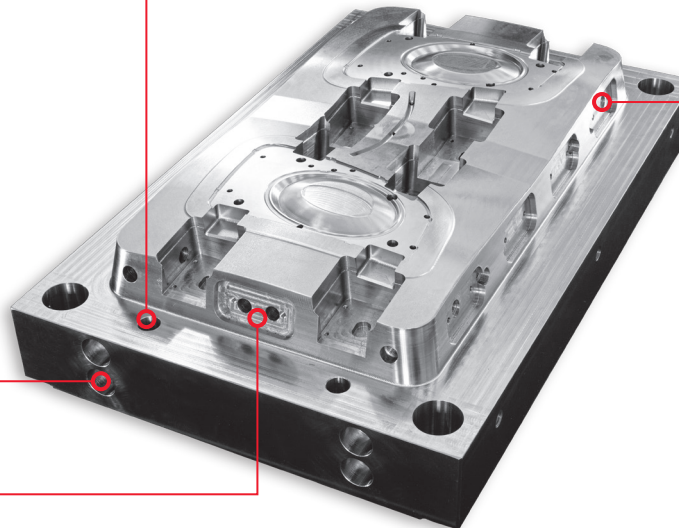
JET DRILLS
Ø12 - Ø80



VORTEX DRILLS
Ø45 - Ø180



INTEGREX DRILLS
Ø18 - Ø80



SPOT FACE
Ø10 - Ø21



SOLID CARBIDE DRILLS
Ø3 - Ø20

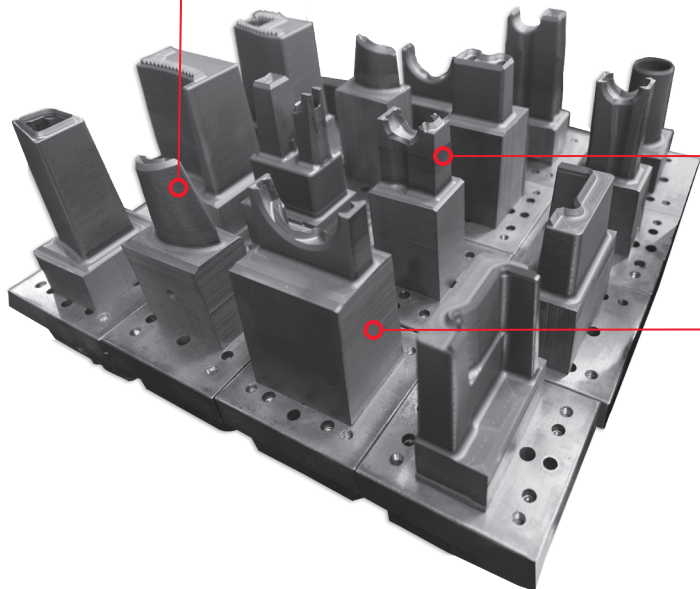
The EDM process is widely used by the mould and die. To machine graphite electrodes Palbit has standard PCD tipped solutions and special PCD coated endmills.



PCD TIPPED ENDMILLS
Ø3 - Ø16

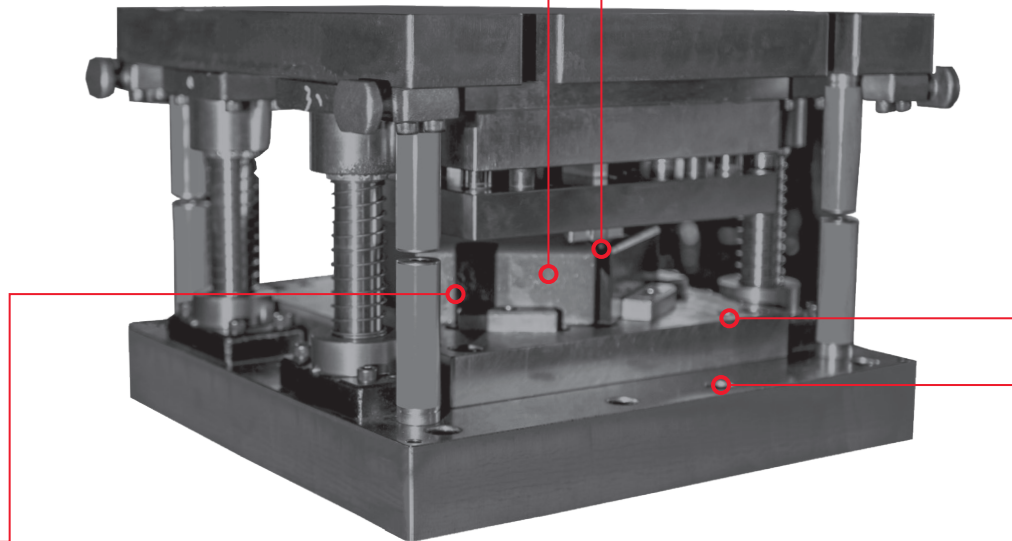


DIAMOND COATED ENDMILLS
Ø2 - Ø10



LINEPRO 40595|40095|41095
Ø10 - Ø80

Stamping moulds require flawless wall surface quality. Palbit tools deliver such quality with superb accuracy.



HEADQUARTERS

PALBIT. S.A.

P.O.Box 4 - Palhal

3854-908 - Branca ALB - Portugal

T (+351) 234 540 300 | F (+351) 234 540 301

palbit@palbit.pt | www.palbit.pt



MOULD & DIE

Branch office:

PALBIT México

Emerson 150. Int.803-804. Colonia Chapultepec

Morales Delagación Miguel Hidalgo

C.P. 11570 México DF

T (+52) 5555 454 543 | F (+52) 5552 509 190

info@palbit.com.mx | www.palbit.com.mx

