

Tooling solutions for Power Generation Industry



POWER
GENERATION

NEW



SINCE 1916

RANGE OF PALBIT TOOLS - MILLING

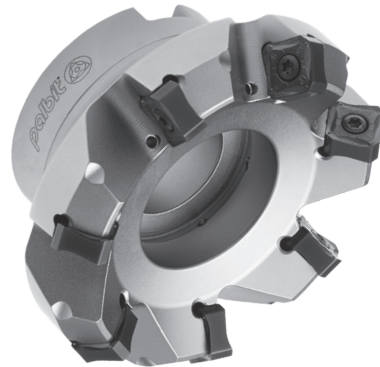
Gama de ferramentas Palbit - Fresagem | Rango de herramientas Palbit - Fresado

Standard and tailor made milling tools. A wide set of products that can be used for almost every challenge.

PLUS 90845

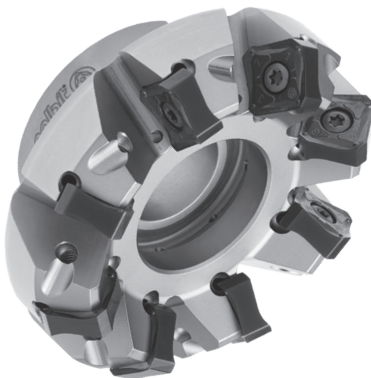


PLUS 90945



Double sided insert;
Excellent surface finishing;
Up to 16 edges per insert.

PLUS 91245



Double sided insert;
Excellent surface finishing;
Up to 16 edges per insert.

RAD-INTEG



Outstanding surface finish;
Extensive tool life.

RANGE OF PALBIT TOOLS - MILLING

Gama de ferramentas Palbit - Fresagem | Rango de herramientas Palbit - Fresado

From face milling to profiling, we provide a complete range of high quality products.

TURBOMILL 34190

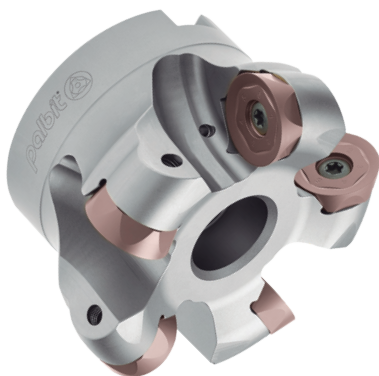


TURBOMILL 34290



Extreme heat resistance;
6 cutting edges per insert.

TOROMILL 33890 | 33990



Extreme heat resistance;
6 cutting edges per insert.

SPECIAL CUTTING TOOLS



Tailor made cutters for specific
projects.

RANGE OF PALBIT TOOLS - TURNING

Gama de ferramentas Palbit - Torneamento | Rango de herramientas Palbit - Torneado

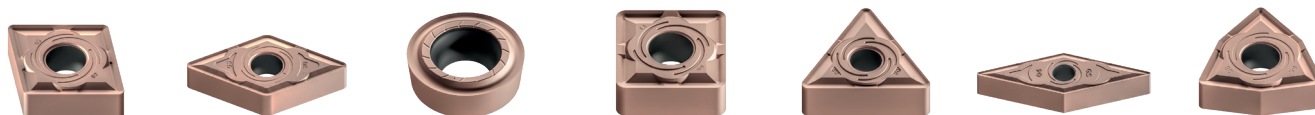
Palbit brings to the market a complete set of cutting tools for multiple machining operations to increase your business performance.

ISO TURNING



Broad set of turning solutions for every material and operation.

GS PHH TURNING



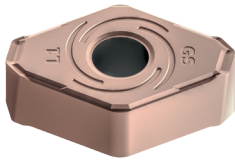
First choice for HRSA medium to finishing turning;
Highly advanced cutting design.

RANGE OF PALBIT TOOLS - TURNING AND GROOVING

Gama de ferramentas Palbit - Torneamento e Sangramento | Rango de herramientas Palbit - Torneado y Ranurado

We seek on a daily basis to create the highest quality tools and provide a wide range array of solutions to our clients.

DOMX



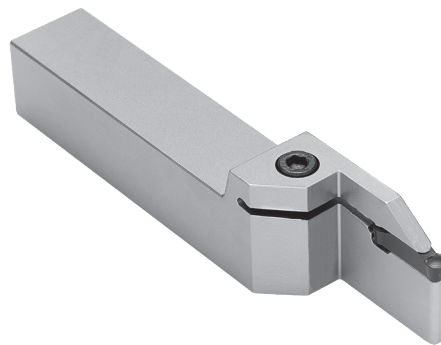
The newest technology for HRSA
rough turning;
Unmatched performance.

HEAVING TURNING



Tough and long-lasting inserts for the
most demanding jobs.

GROOVING PLUS



Grooving solutions with high precision.

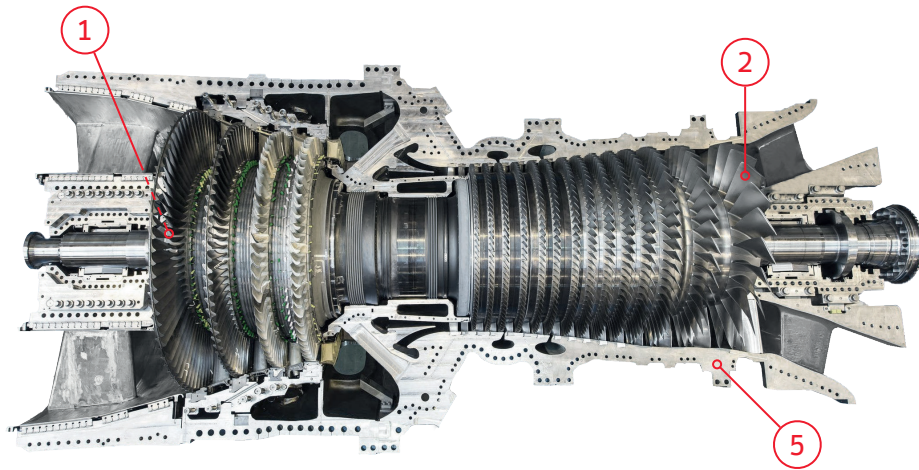
POWER GENERATION - GAS AND STEAM TURBINES

Geração de energia - turbinas a gás e a vapor | Generación de energía: turbinas de gas y vapor

In an ever-evolving world, power demands are increasing and new materials for turbines are being discovered. Palbit embraces this challenge with high quality products.

MAIN WORKPIECE PARTS:

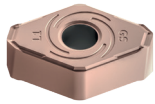
GAS TURBINE



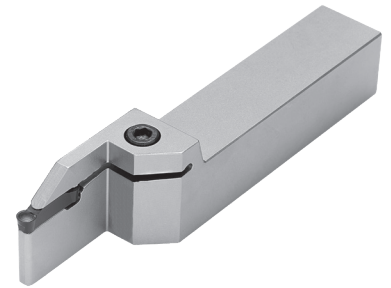
STEAM TURBINE



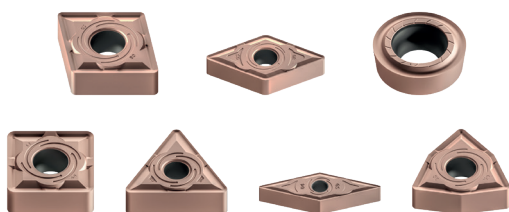
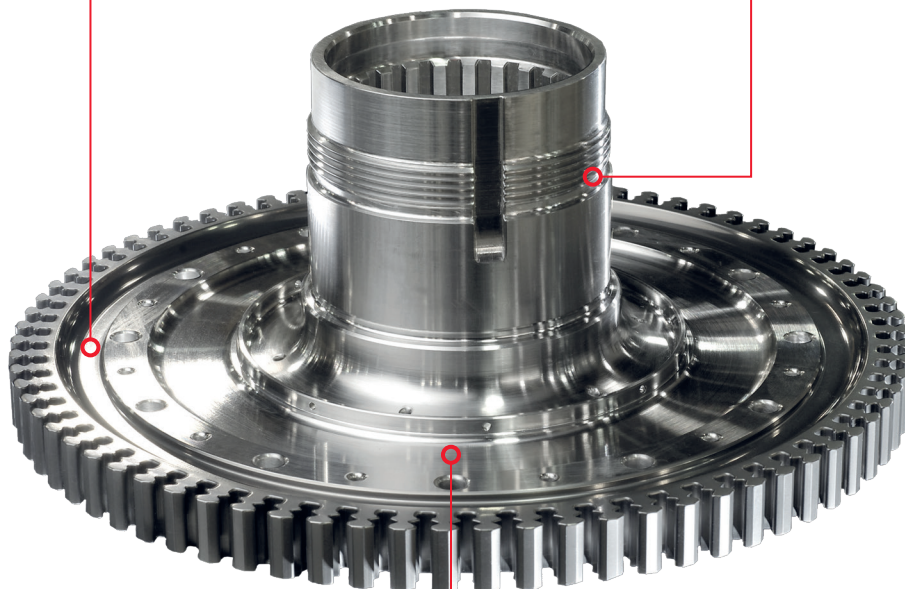
- 1 - TURBINE DISC
- 2 - TURBINE BLADE
- 3 - STATOR DIAPHRAGM
- 4 - THERMAL SHAFT
- 5 - TURBINE CASING



DOMX
(roughing)



GROOVING PLUS



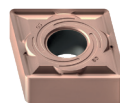
GS PHH TURNING
(medium to finish)



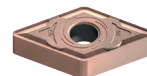
RAD-INTEG



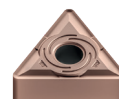
TURBOMILL & TOROMILL



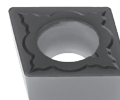
CNMG-GS



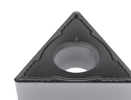
DNMG-GS



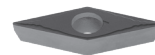
TNMG-GS



CCMT-MM

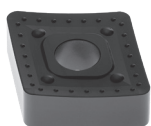


TCMT-MM



VCMT-MM

ISO TURNING
(medium to finishing)



CNMM-HY



SNMM-HY

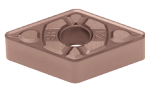
HEAVY TURNING



RAD-INTEG



CNMG-SS



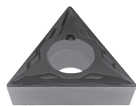
DNMG-SF



TNMG-SS



CCGT-FS



TCMT-FM

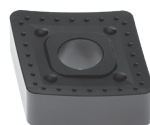
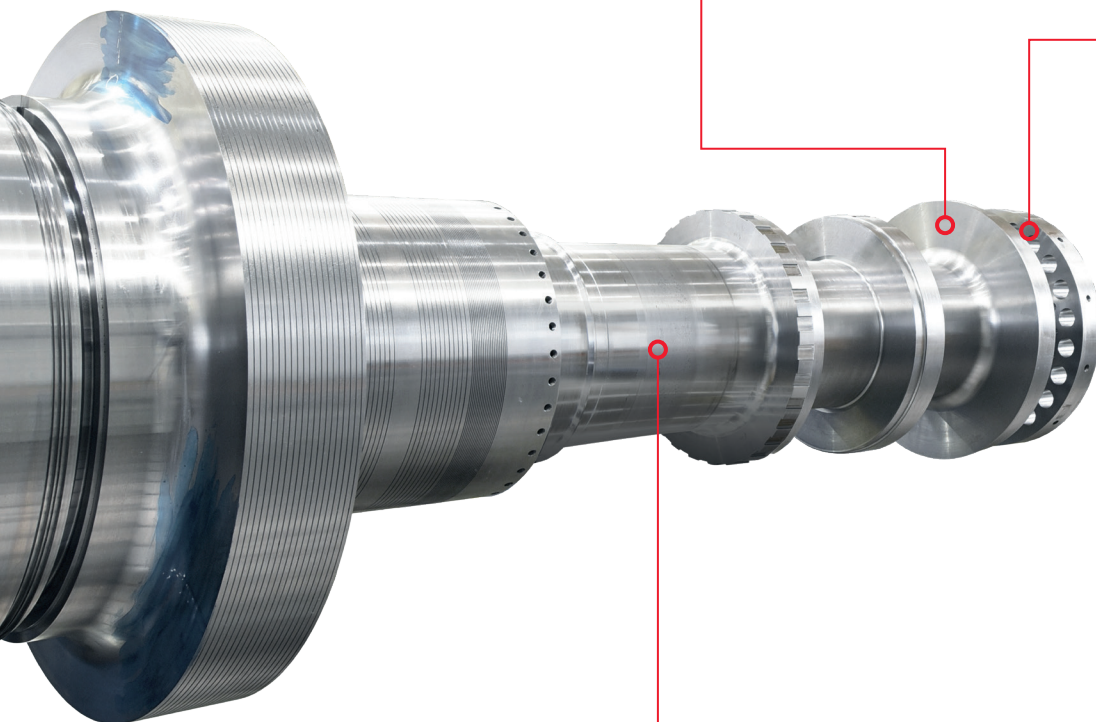


VCGT-FS

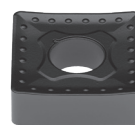
ISO TURNING
(medium to finishing)



SPECIAL DISC CUTTER



CNMM-HY



SNMM-HY

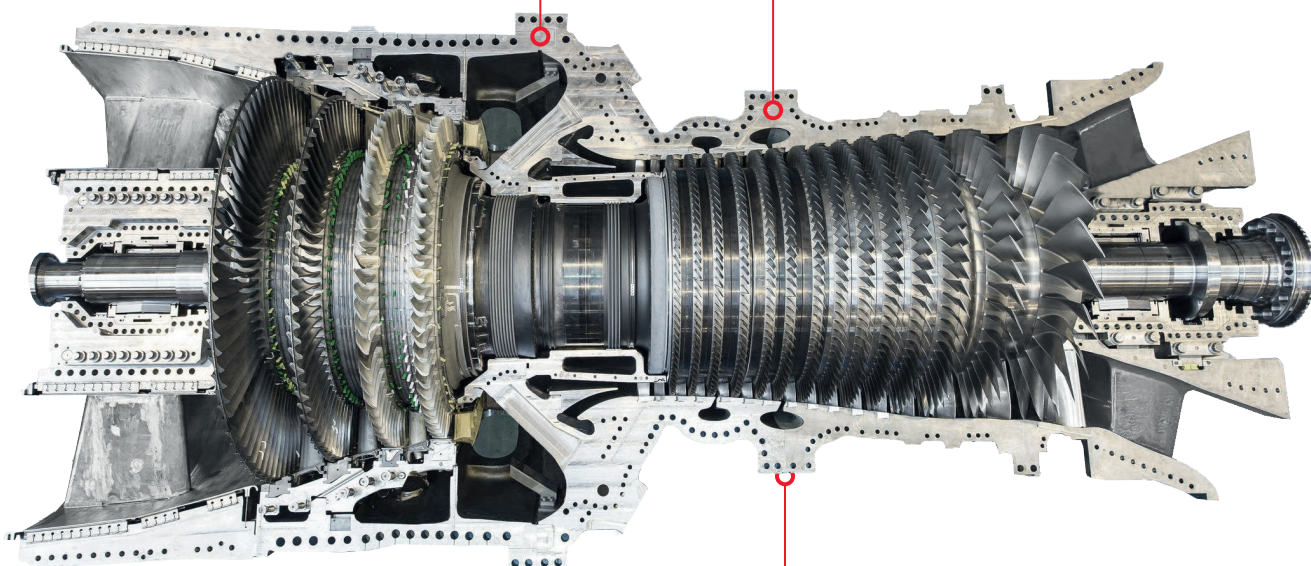
HEAVY TURNING



PLUS 90845 | 90945



PLUS 91245



TOROMILL 33890 | 33990



POWER GENERATION

NEW

HEADQUARTERS

PALBIT, S.A.

P.O.Box 4 - Palhal

3854-908 - Branca ALB - Portugal

T (+351) 234 540 300 | F (+351) 234 540 301

palbit@palbit.pt | www.palbit.pt

Branch office:

PALBIT México

Emerson 150. Int.803-804. Colonia Chapultepec

Morales Delagación Miguel Hidalgo

C.P. 11570 México DF

T (+52) 5555 454 543 | F (+52) 5552 509 190

info@palbit.com.mx | www.palbit.com.mx



SINCE 1916